

.2 to 40 GHz Wideband Amplifier Module

Features

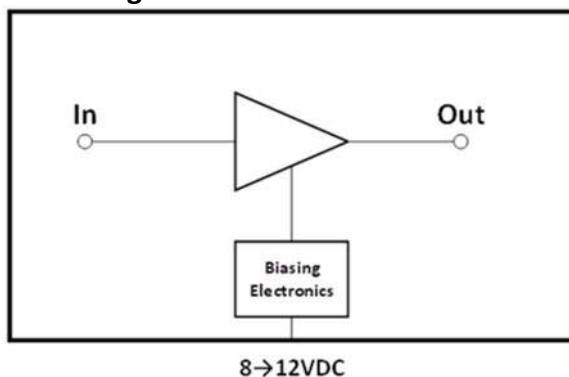
- Convenient Single +8V Supply Operation
- Internally Bias Sequenced and Regulated
- Wide Frequency Range of Amplification
- Flat Gain Response up to 40GHz



Applications

These amplifier modules have consistent gain up to 40 GHz and are ideal for many applications. The amplifier can be used to amplify signals up to 40 GHz and covers many frequency bands including L-Band, Ku-band, and Ka-Band. The module outputs +16 dBm of RF power up to 40 GHz. A single +8V to +12V supply is needed to power the module. An EMI suppressing feed thru and ground turret terminals are used to connect DC. Negative bias is generated internally through an inverter on the power conditioning board that includes voltage regulation and bias sequence electronics. A reverse polarity shunt diode helps protect the module against misconnection of DC. The result is a simplified and easy-to-use DC interface. Four conveniently located through holes for either #4 or M3 fasteners can be used for attaching the device to a bracket or baseplate. The housing is constructed of gold-plated aluminum. The input and output connectors are female 2.92mm coax and are SMA compatible.

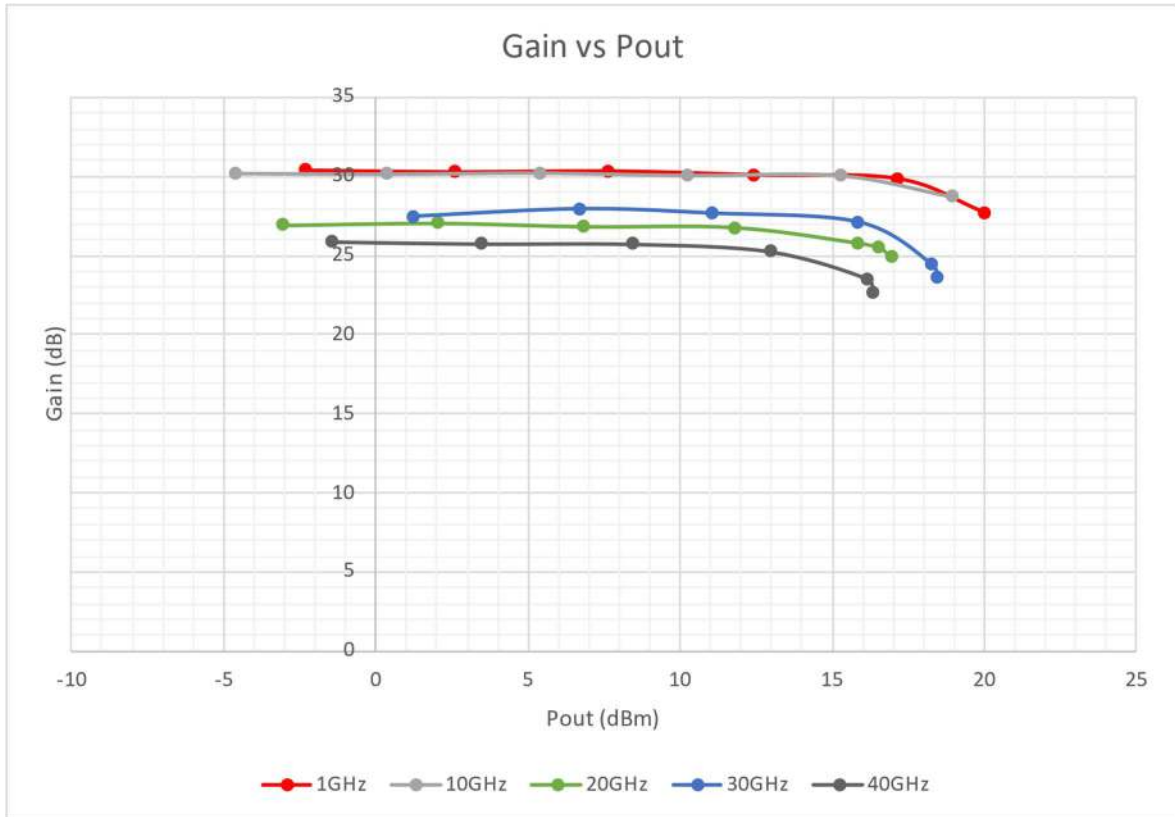
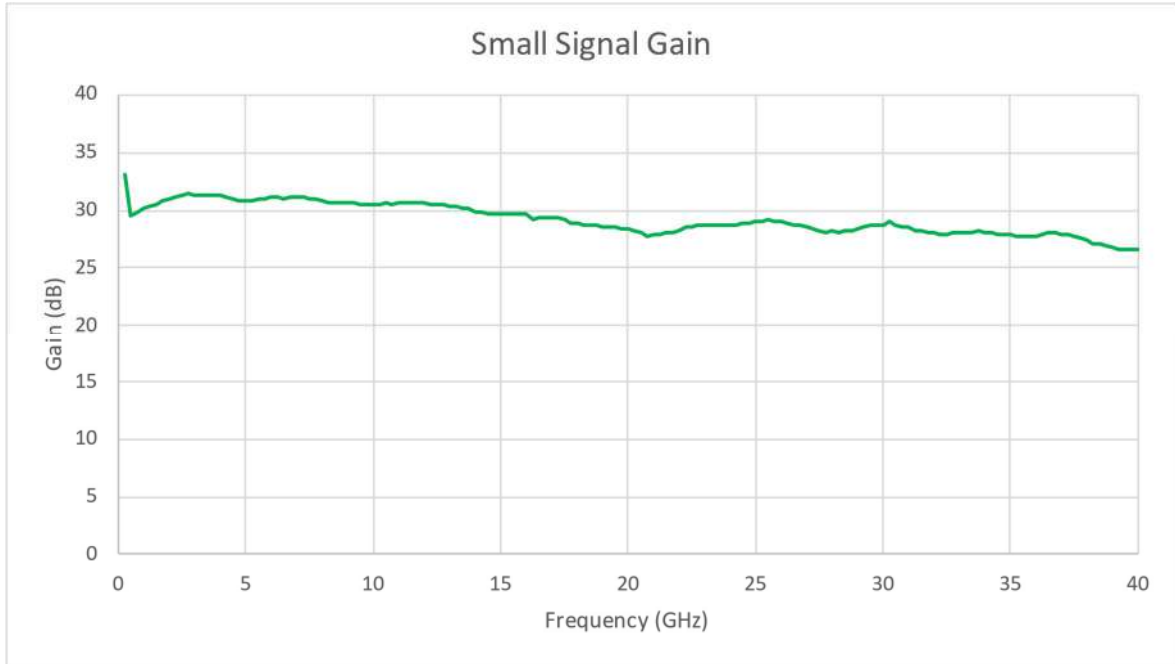
Block Diagram

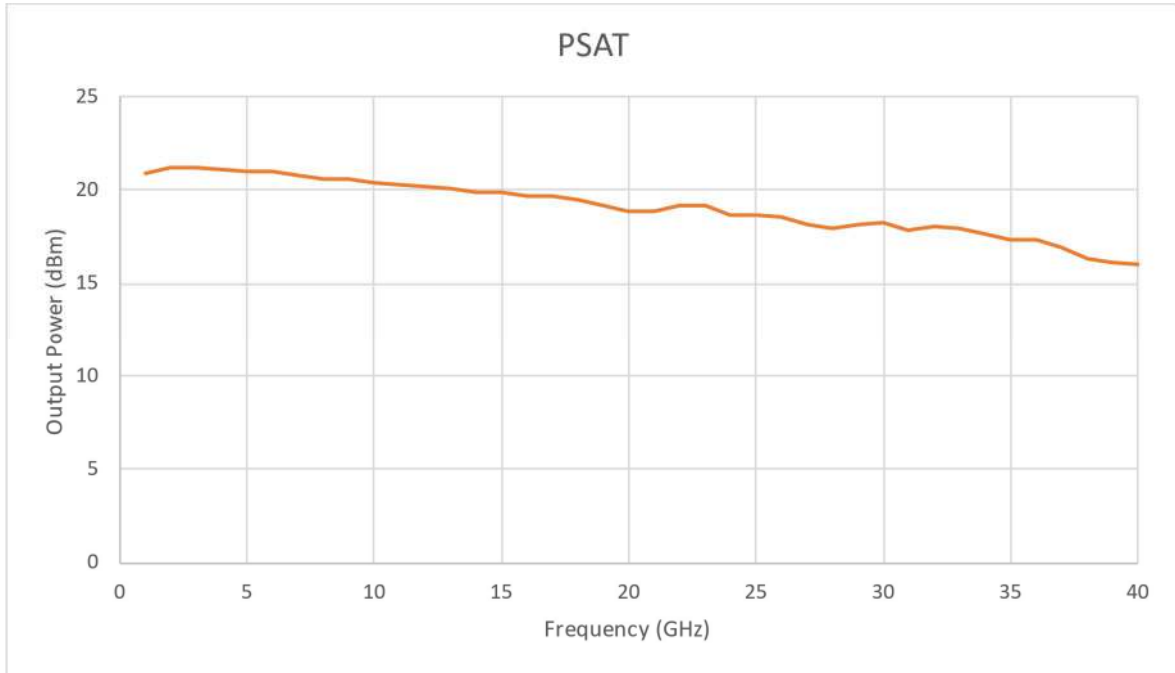


Specifications

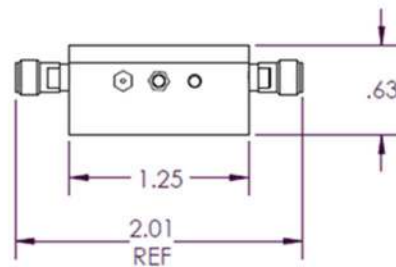
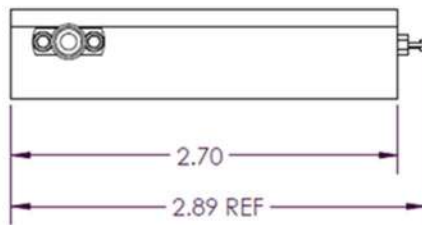
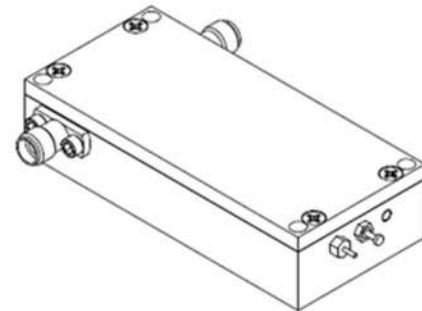
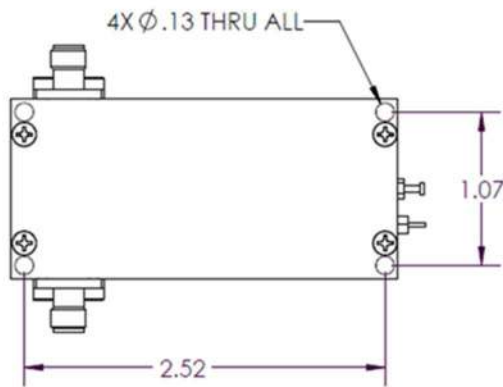
Parameter	Specification	Notes
Frequency Range	200 MHz to 40 GHz	
Gain	200 MHz to 40 GHz >26dB typ.	See Plot Below
Saturated Output Power	+16dBm typ. @ 40GHz	See Plot Below
DC Supply	8 to 12 VDC @ 330 mA	
Input Connector	2.92mm coax	Female, SMA Compatible
Output Connector	2.92mm coax	Female, SMA Compatible

Measured Data





Outline Drawing (Inches)





MILLIMETER WAVE SYSTEMS, LLC
AMHERST, MA US
413.345.6467
MILLIMETERWAVESYSTEMS.COM

Ordering Information

200972-01	200 MHz - 40 GHz Wideband Amplifier, 2.92mm
ECCN	EAR99

Specifications subject to change without notice.