

## W-Band Low Noise Amplifier 75-110 GHz

### Features:

- Low Noise: 3.1dB typ. @94 GHz
- Full W-Band Operation
- 75-110 GHz
- WR-10 waveguide in/out
- Single Supply Operation
- Internally Bias Sequenced and Regulated



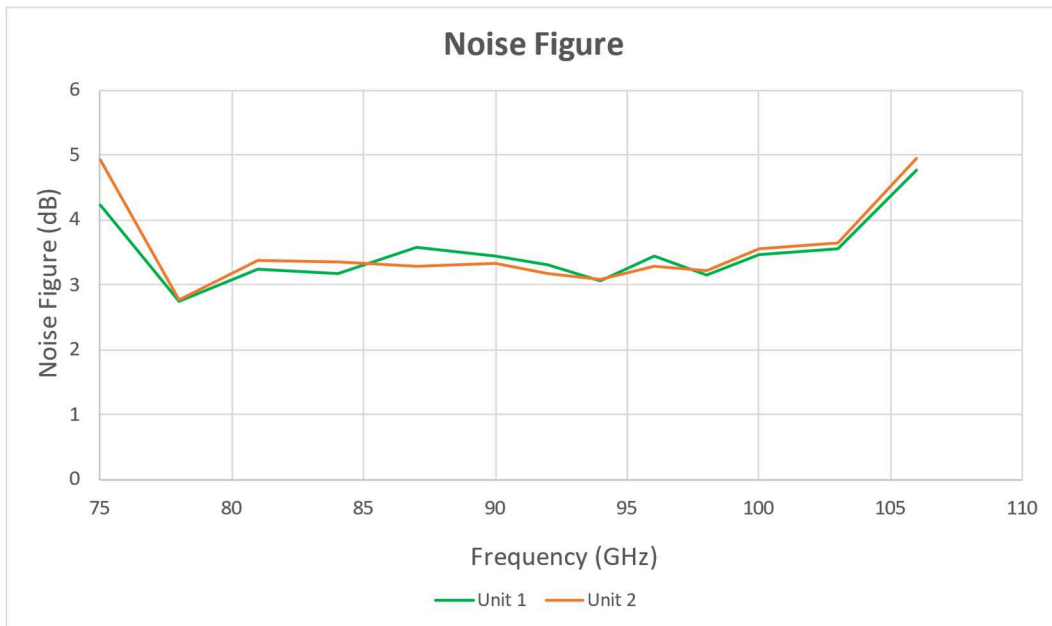
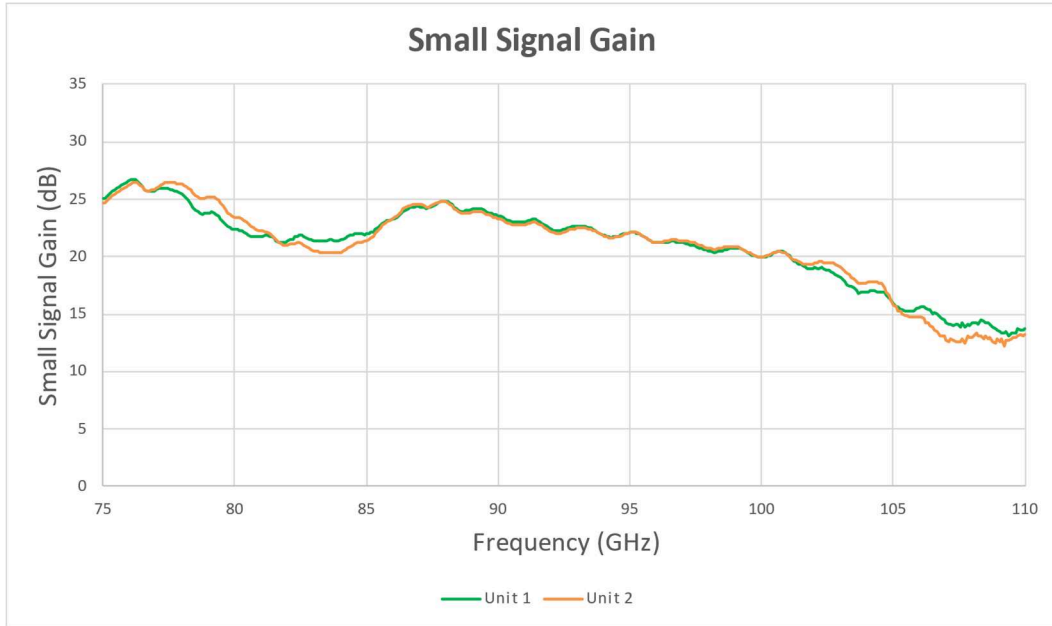
### Applications

With exceptionally low noise figure and full band operation, these W-Band low Noise Amplifiers (LNAs) are ideal for the most critical applications including test-and-measurement, radars, radiometers, and point-to-point communications. The in-line waveguide input and output WR-10 flanges are compatible with MIL-F-3922/67B (UG-387) 0.75" diameter mating flanges. Single supply operation over a wide voltage range is a result of internal linear voltage regulation and a negative bias inverter. Drawing a maximum current of 100mA, these LNAs are ideal for low power applications. Two mounting holes for either #4 or M3 fasteners can be used for attaching the amplifier to a bracket or baseplate.

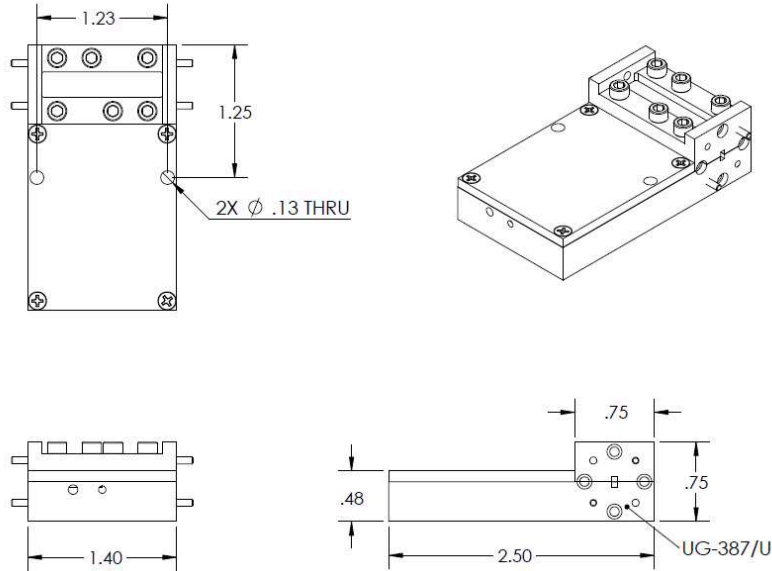
### Specifications

Parameter	Specification @25C	Notes
Frequency Range	75-110 GHz	
Small Signal Gain	20 dB typ. @ 94 GHz	See plot
Noise Figure	3.1 dB typ. @94GHz	
Input P1dB	-22 dBm typ.	
Supply	+8-12VDC @100 mA max.	Solder terminals
Connectors	WR-10 input/output UG-387/U-M	
Operating Temperature	0 to +40C	
Housing Material	Gold-plated Aluminum 6061	

**Measured Data (typ.)**



**Outline Drawing (inches)**



**Ordering Information**

Part Number: 200416-01	W-Band Low Noise Amplifier 75-110 GHz
ECCN: 3A001.b.4.e.3	

Specifications subject to Change without notice.