

20-50 GHz Reflective Voltage Variable Attenuator

Features

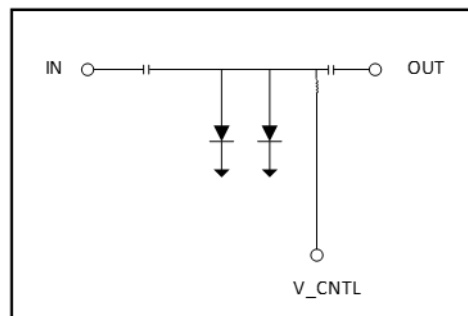
- 40dB dynamic Range
- +20 dBm Power Handling
- Low Loss
- High Speed
- 2.4mm and 2.92mm versions



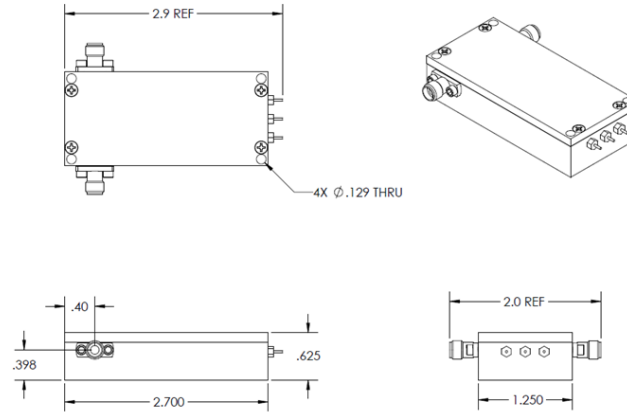
Specifications

Parameter	Specification	Notes
Frequency Range	20-50 GHz	
Dynamic Range	35dB typ.	See plot
Insertion Loss	4dB typ.	See plot, bias=0V
Voltage Range	0-2V	0-15mA typ.
RF Connector	2.4mm (50 GHz) or 2.92mm (40 GHz)	
Control Connector	SMA	
Max Power	20 dBm	

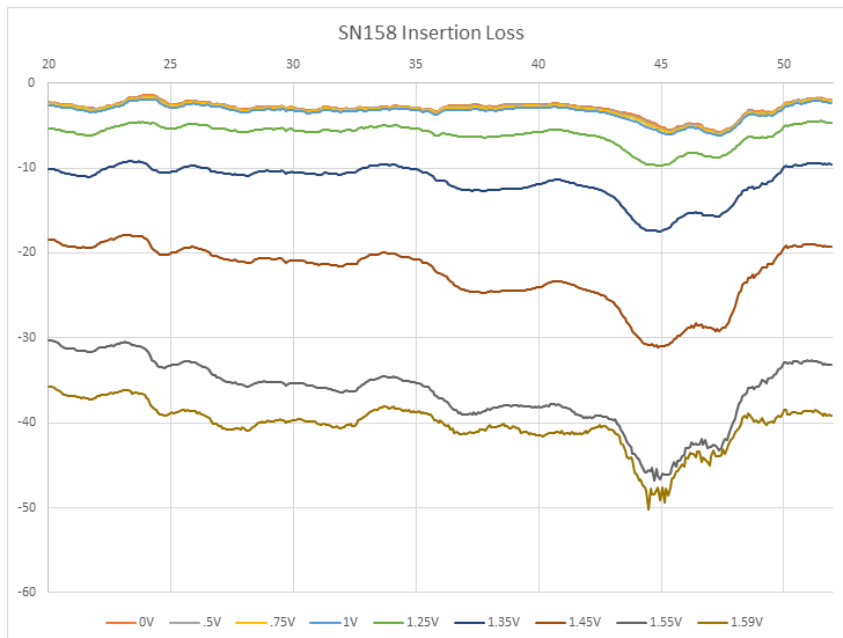
Block Diagram



Outline Drawing (Inches)



Measured Data



Ordering Information

200426-01	20-40 GHz VVA, 2.92mm
200426-02	20-50 GHz VVA, 2.4mm
Export	EAR99

Specifications subject to change without notice.