

Precision Machined Waveguide Probe, WR-10

Features

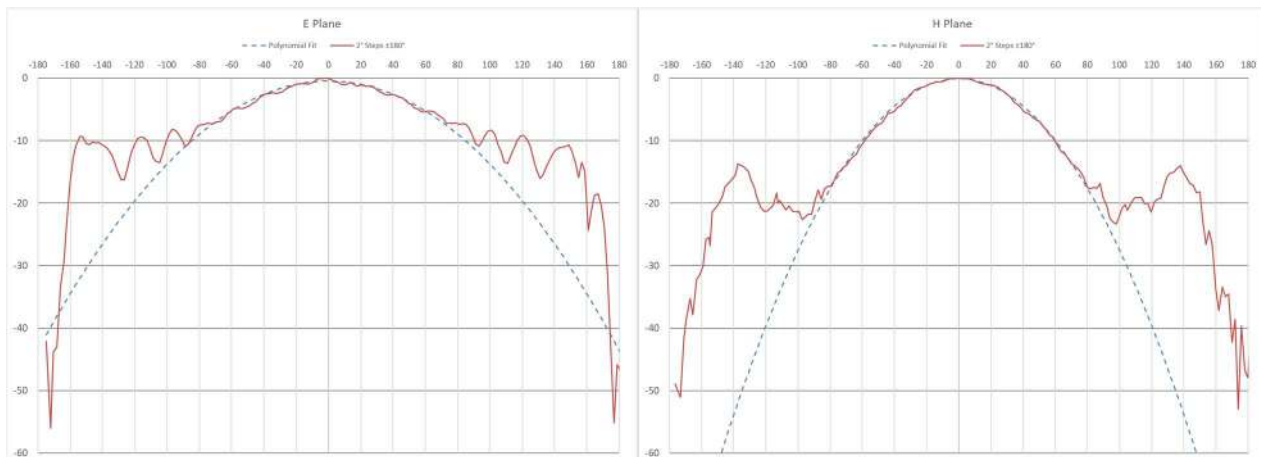
- Precision construction
- Gain: 7.2dBi @ 94 GHz
- Return Loss: 13 dB typ.



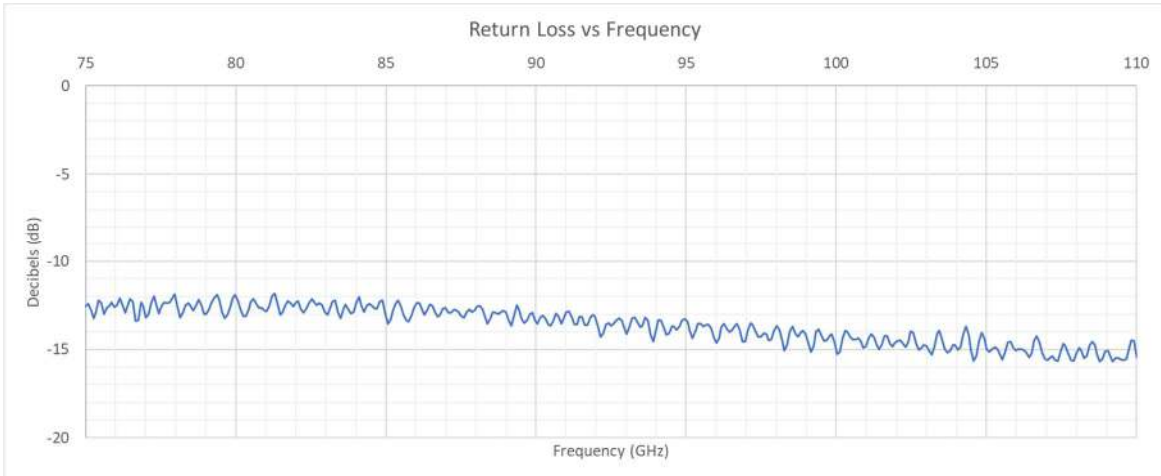
Specifications

Parameter	Specification	Notes
Frequency	75-110 GHz	
Gain	7 dBi typ @94 GHz	
Beam Width	95° typ. (E-plane) 66° typ. (H-plane)	
Sidelobes	-10 dB typ. (E-plane) -14 dB typ. (H-plane)	
Return Loss	13 dB typ.	
RF Connector	WR-10	

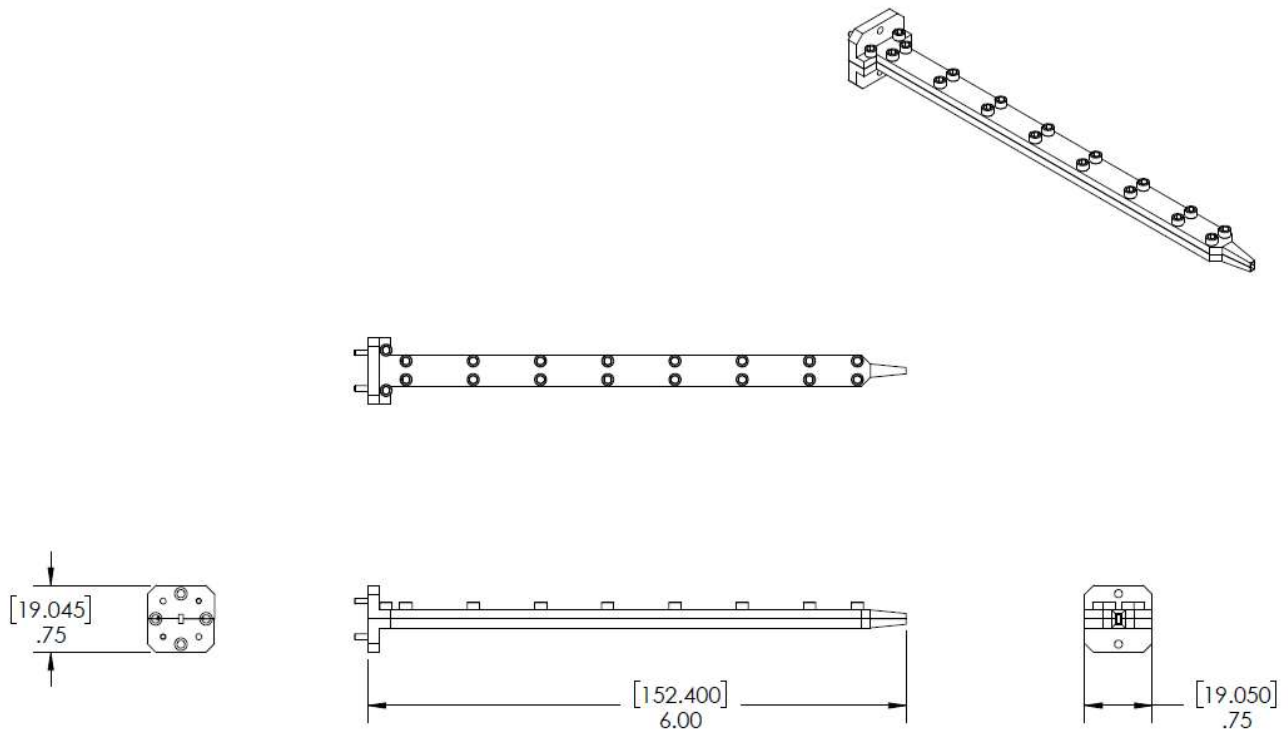
Measured Antenna Patterns



Return Loss



Outline Drawing [mm] Inches



Ordering Information

200501-01	Waveguide Probe, WR-10
Export	EAR99

Specifications subject to change without notice.