

## V-Band Power Amplifier, 55-67 GHz, 24 dBm

### Features:

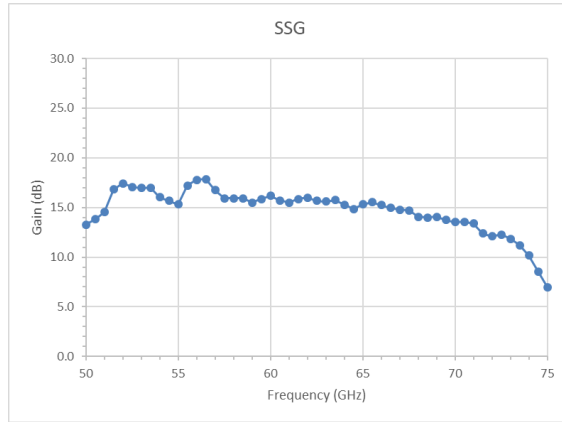
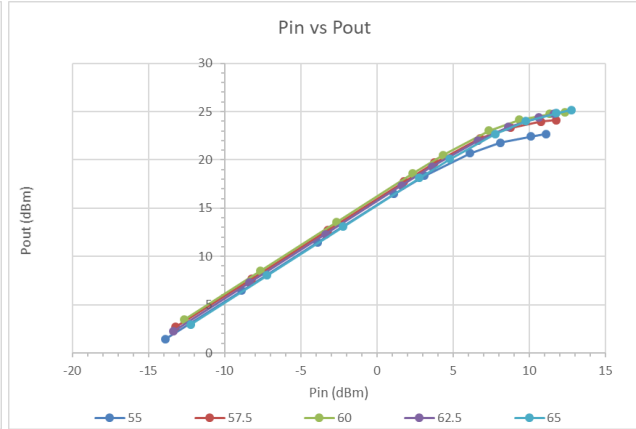
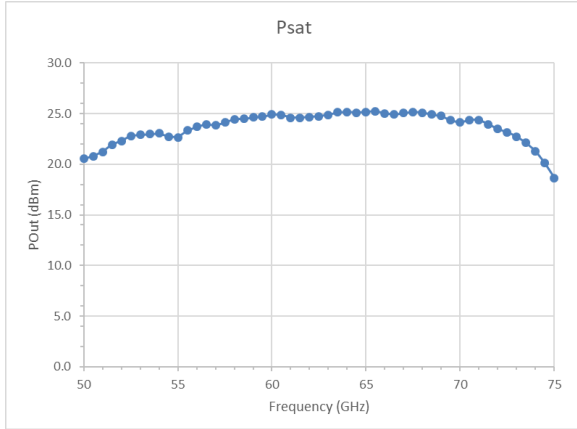
- Worldwide V-Band Coverage
- +24dBm typ. Psat
- WR-15 waveguides
- Single Supply Operation
- Internally Bias Sequenced and Regulated



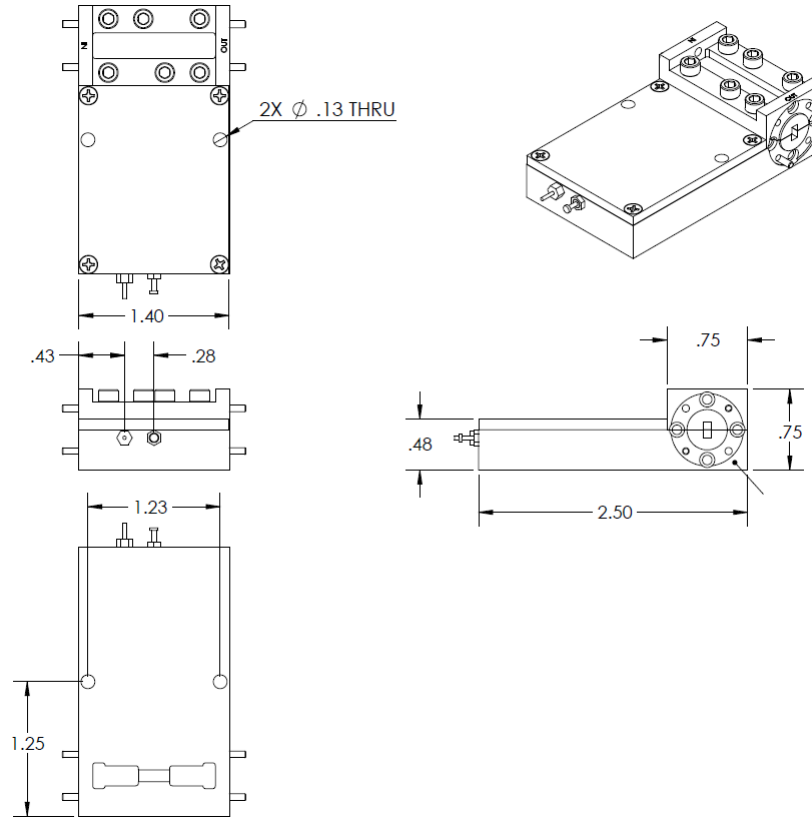
### Specifications

Parameter	Specification	Notes
Frequency Range	55-67 GHz	
Small Signal Gain	15 dB typ.	
Psat	24dBm typ.	See graphs
Supply	+8-12VDC @100mA max	Solder terminals
Connectors	WR-15 input/output	

**Measured Data (typ.)**



**Outline Drawing (inches)**



**Ordering Information**

Part Number: 200537-01	V-Band Power Amplifier, 55-67 GHz, 24 dBm
ECCN: 3A001.b.4.e.1	

Specifications subject to Change without notice.

200537 MWS V-Band Power Amplifier, 55-67 GHz, 24 dBm.docx