

## 1-40 GHz Wideband Medium Power Amplifier

### Features:

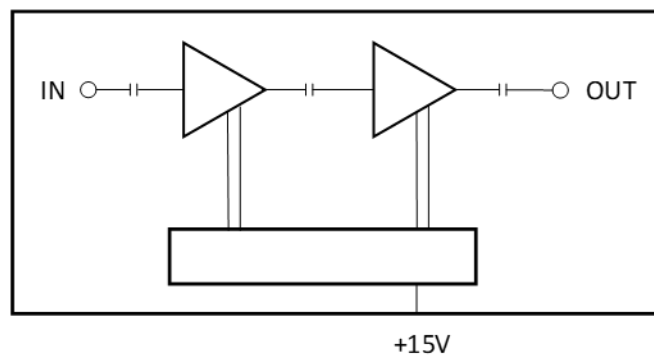
- Wide Band
- High Power, 25dBm Psat (typ.)
- 20dB Small Signal Gain (typ.) @20 GHz
- Internally Bias Sequencing and Regulation
- Single Supply Operation



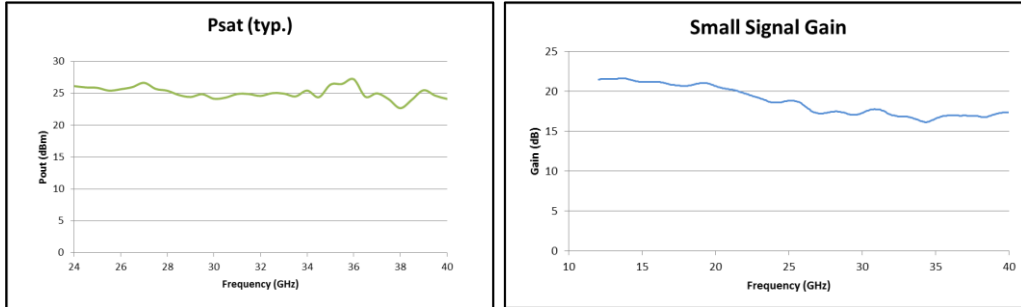
### Specifications

Parameter	Specification	Notes
Frequency Range	1-40 GHz	
Small Signal Gain	20dB typ. @20 GHz	see plot
Psat	25 dBm typ.	
Voltage	+15VDC	500mA typ. at Psat
RF Connectors	2.92mm	

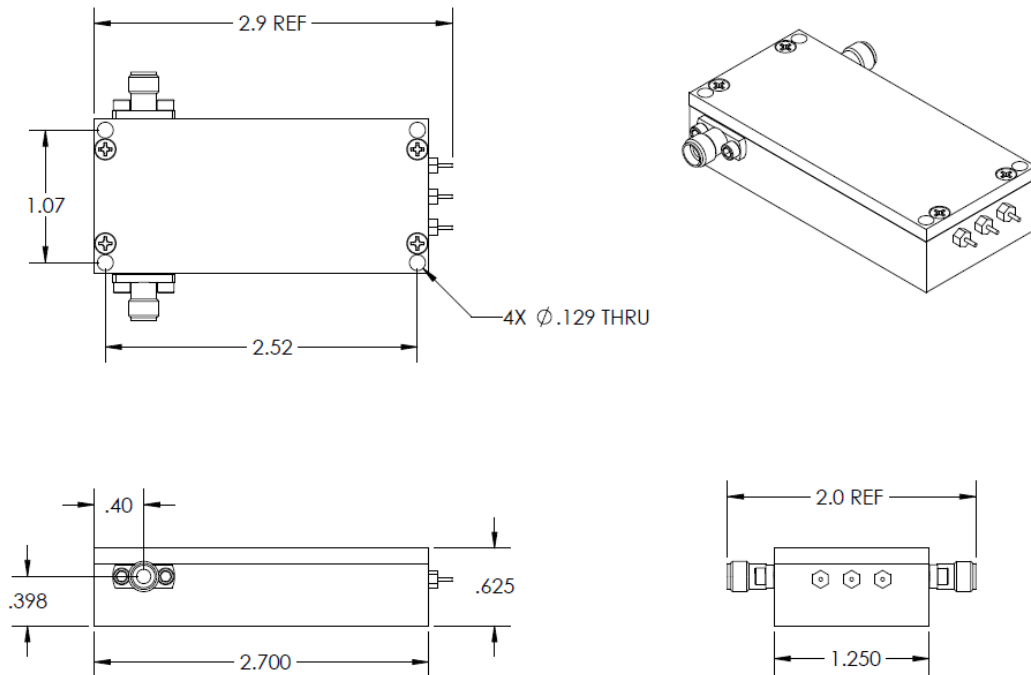
### Block Diagram



**Measured Data 24-40 GHz (typ.)**



**Outline Drawing (inches)**



**Ordering Information**

Part Number: 200382-01	1-40 GHz Wideband Medium Power Amplifier
ECCN: 3a001.b.4.c	

Specifications subject to Change without notice.